

# BESTPACK'S FLAGSHIP PRESSURE SENSITIVE

ACRYLIC CARTON SEALING TAPE



TEMPERATURE-RESISTANT  
WATER-BASED ACRYLIC

## QUICK HIGHLIGHTS

- Unlimited Shelf Life
- UV Light Resistant
- Specially Formulated 110% Elongation Low Stretch Cast Film (Increasing Machine Length Roll Performance)
- Specially Formulated ROHM & HAAS (for use in Hot & Cold Temperature)
- RoHS Compliant
- Meets FDA Food Requirements for Indirect Food Contact

<b>1.8 MIL</b> (45 MICRON)* Total Thickness	<b>18 oz/inch</b> WIDTH*** Peel Adhesion	<b>0.8 MIL</b> (20 MICRON)* Adhesive Thickness
<b>1.0 MIL</b> (25 MICRON)* Film Thickness	<b>20 LBS/IN</b> WIDTH** Tensile Strength	<b>110%**</b> Elongation % At Break
Test Methods: * ASTM D-3652; ** ASTM D-3759; *** ASTM D-3330		

<b>SERVICE TEMPERATURE</b>
Minimum Temp.: <b>-30°F</b> Maximum Temp.: <b>200°F</b>

<b>USAGE &amp; STORAGE TEMPERATURE</b>
Minimum Temp.: <b>32°F</b> Maximum Temp.: <b>150°F</b>

<b>IDEAL STORAGE TEMPERATURE</b>
Ideal Storage Temp.: <b>77°F +/- 5°F</b> Ideal Storage Humidity: <b>55% +/- 5%</b>








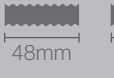
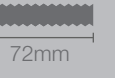
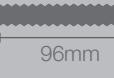

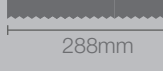
Values obtained from tests do not represent a guarantee of product performance. Individual rolls may vary slightly from these averages. BestPack recommends the user to determine whether the product is fit for a particular purpose and is suitable for the user's method of application.

\*Contact Your Local BestPack Representative for More Information



**LEARN MORE ABOUT OUR TAPE:**

**BROCHURES | MATERIAL SAFETY DATA SHEET | ROHS INFORMATION**

<b>AVAILABLE COLORS:</b>			<input type="button" value="Clear"/>		
<b>AVAILABLE LENGTHS:</b>					
<b>AVAILABLE WIDTHS:</b>					

## BP18

**1.8 MIL (45 MICRON) TOTAL TAPE THICKNESS  
25 MICRON CAST BOPP LOW ELONGATION FILM  
ROHM & HAAS ACRYLIC ADHESIVE**

BP18 is a general purpose utility grade box sealing tape used for primarily light to medium weight boxes. This tape performs well in a broad temperature range.