

# AUTOMATIC L-TYPE SUCTION CUP CARTON ERECTOR ELVS22 FOOTPRINT



**WANT TO KNOW MORE  
ABOUT THIS MACHINE?**

SCAN HERE TO LEARN MORE ABOUT THIS MACHINE

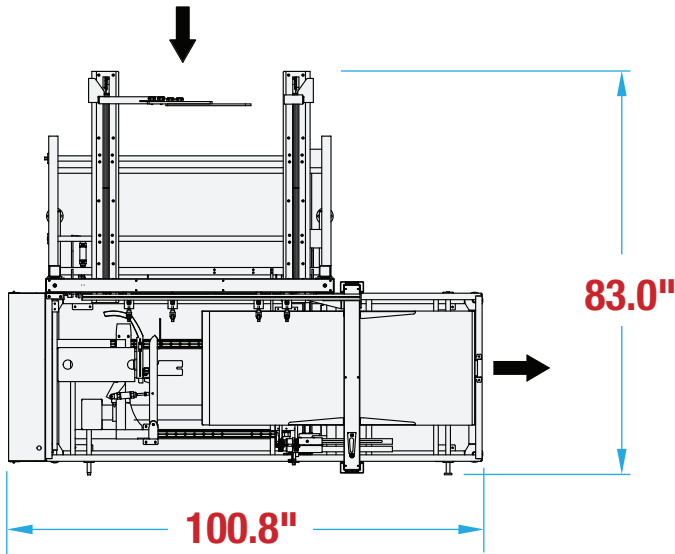
**MACHINE  
MEASUREMENTS:**

100.8"  
LENGTH

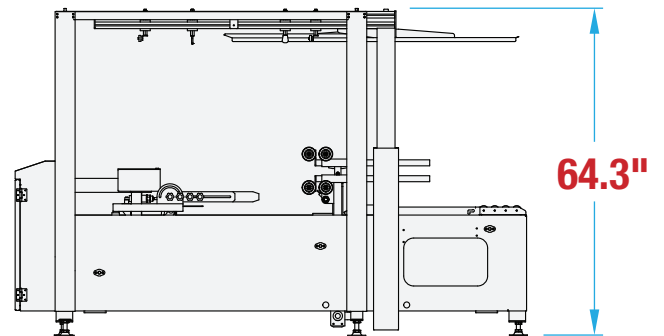
X 83.0"  
WIDTH

X 64.3"  
HEIGHT

## TOP VIEW



## SIDE VIEW



Note: Dimensions are all subject to change without prior notification. Call BestPack for pricing.