

# AUTOMATIC STRAIGHT FEED CASE ERECTOR ESHB11-2 FOOTPRINT



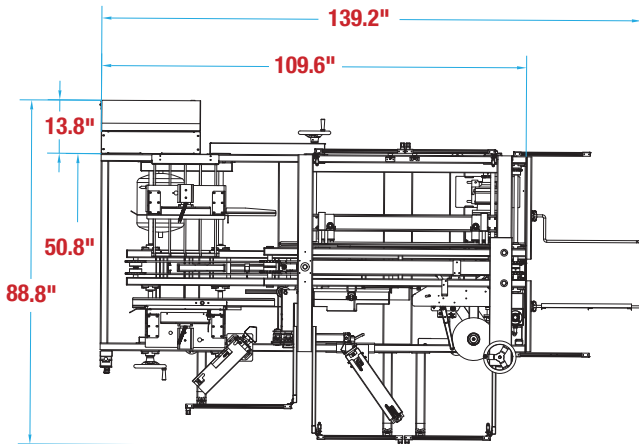
**WANT TO KNOW MORE  
ABOUT THIS MACHINE?**

SCAN HERE TO LEARN MORE ABOUT THIS MACHINE

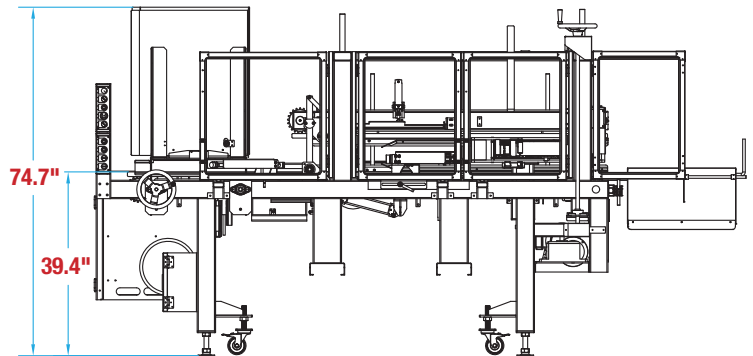
**MACHINE  
MEASUREMENTS:**

139.2" x 88.8" x 74.7"  
LENGTH WIDTH HEIGHT

## TOP VIEW



## SIDE VIEW



Note: Dimensions are all subject to change without prior notification. Call BestPack for pricing.