

LIGHT TO HEAVY DUTY

HOT MELT CARTON SEALING TAPE



INSTANT ADHESION
TO CARTONS

QUICK HIGHLIGHTS

- Great Initial Tack
- Consistent & Easy Release
- Specially Formulated 110% Elongation Low Stretch Cast Film (Increasing Machine Length Roll Performance)
- Specially Formulated ROHM & HAAS (for use in Hot & Cold Temperature)
- RoHS Compliant
- Meets FDA Food Requirements for Indirect Food Contact

1.8 MIL (45 MICRON)*	42 oz/inch WIDTH***	0.7 MIL (17 MICRON)*
Total Thickness	Peel Adhesion	Adhesive Thickness
1.1 MIL (28 MICRON)*	20 LBS/IN WIDTH**	110%**
Film Thickness	Tensile Strength	Elongation % At Break
Test Methods: * ASTM D-3652; ** ASTM D-3759; *** ASTM D-3330		

SERVICE TEMPERATURE
Minimum Temp.: -30°F Maximum Temp.: 200°F

USAGE & STORAGE TEMPERATURE
Minimum Temp.: 32°F Maximum Temp.: 150°F

IDEAL STORAGE TEMPERATURE
Ideal Storage Temp.: 77°F +/- 5°F Ideal Storage Humidity: 55% +/- 5%


Values obtained from tests do not represent a guarantee of product performance. Individual rolls may vary slightly from these averages. BestPack recommends the user to determine whether the product is fit for a particular purpose and is suitable for the user's method of application.

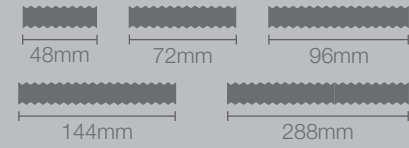
*Contact Your Local BestPack Representative for More Information



LEARN MORE ABOUT OUR TAPE:
BROCHURES | MATERIAL SAFETY DATA SHEET | ROHS INFORMATION

AVAILABLE COLORS: CLEAR

AVAILABLE LENGTHS: 

AVAILABLE WIDTHS: 

HT18

1.8 MIL (45 MICRON) TOTAL TAPE THICKNESS
28 MICRON CAST BOPP LOW ELONGATION FILM
ROHM & HAAS ACRYLIC ADHESIVE

HT18 is a general purpose grade hot melt carton sealing tape perfect for light to heavy duty sealing applications.