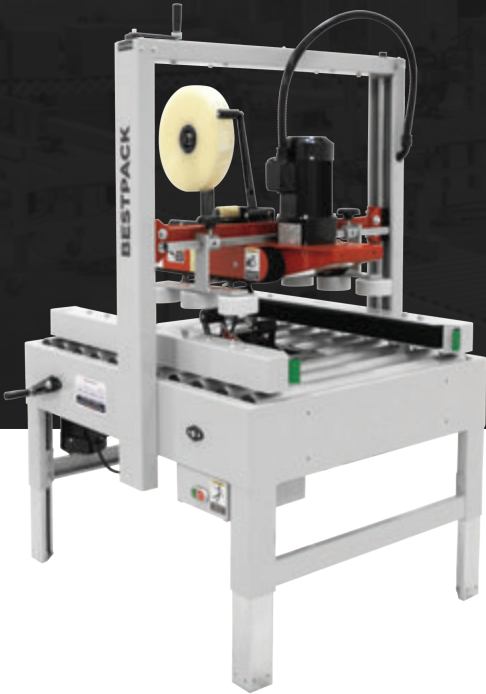


MANUAL QUAD DRIVE CARTON SEALER MQ22 FOOTPRINT



**WANT TO KNOW MORE
ABOUT THIS MACHINE?**

SCAN HERE TO LEARN MORE ABOUT THIS MACHINE



**MACHINE
MEASUREMENTS:**

39.5"
LENGTH

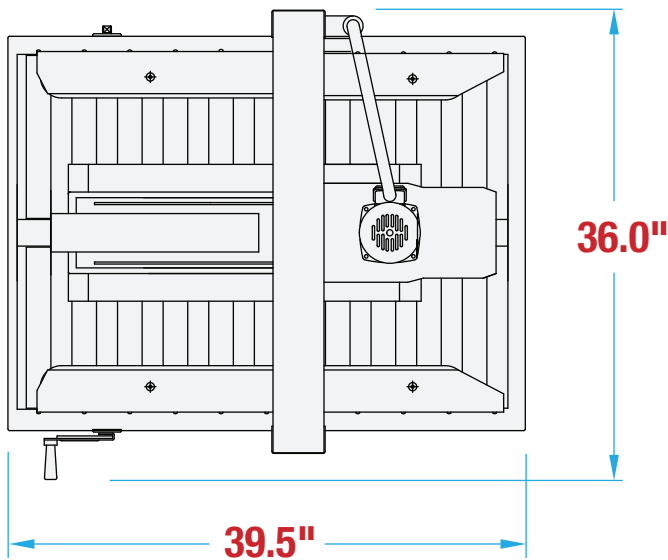
X

36.0"
WIDTH

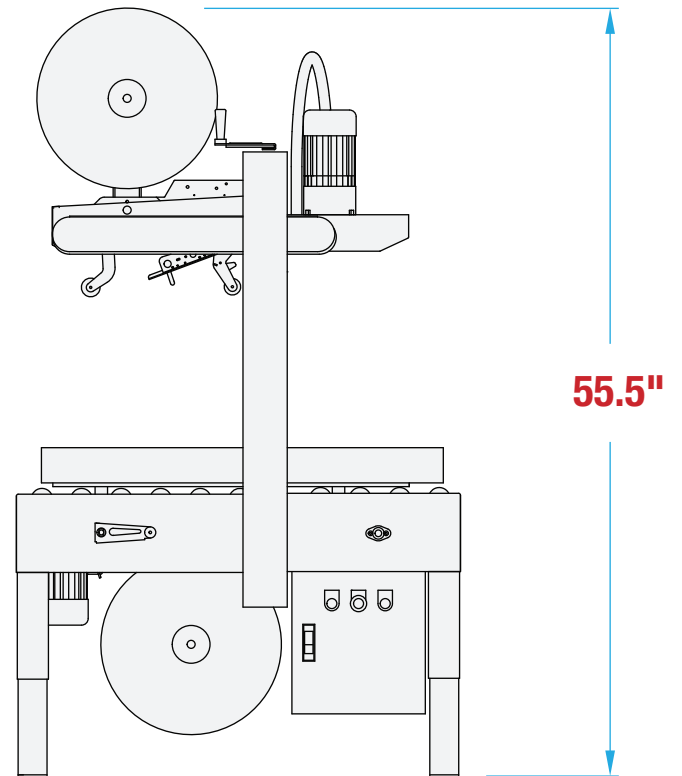
X

55.5"
HEIGHT

TOP VIEW



SIDE VIEW



Note: Dimensions are all subject to change without prior notification. Call BestPack for pricing.