

# MANUAL SIDEDRIVE 1-EDGE SEALER MS1ETR22-2 FOOTPRINT



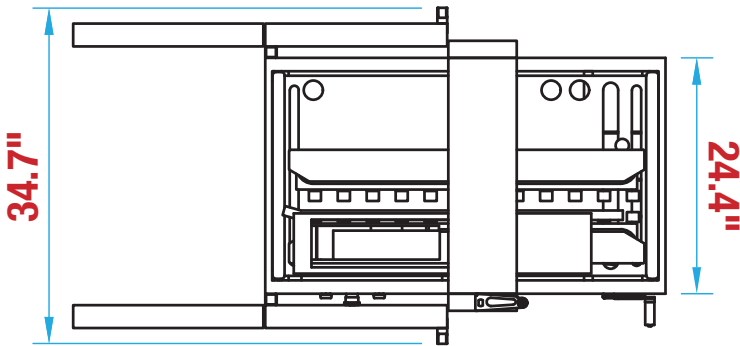
**WANT TO KNOW MORE  
ABOUT THIS MACHINE?**

SCAN HERE TO LEARN MORE ABOUT THIS MACHINE

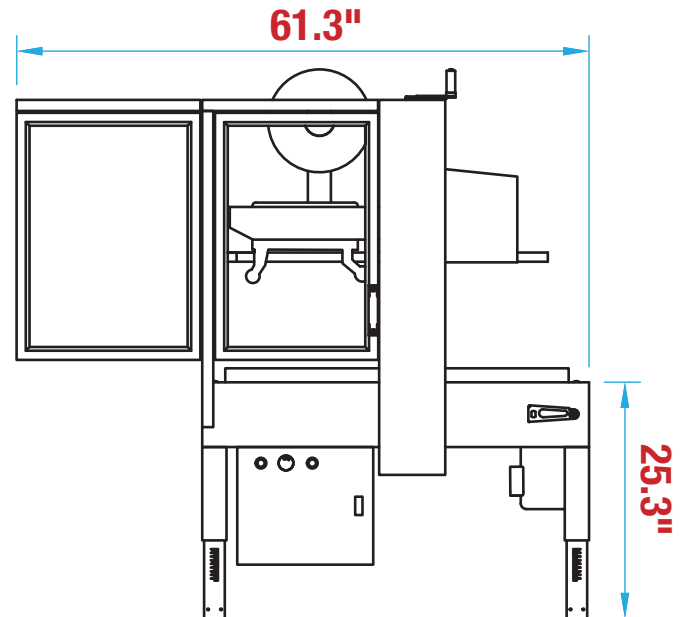
**MACHINE  
MEASUREMENTS:**

**41.5" x 26.0" x 62.2-68.7"**  
LENGTH WIDTH HEIGHT

**TOP VIEW**



**SIDE VIEW**



Note: Dimensions are all subject to change without prior notification. Call BestPack for pricing.