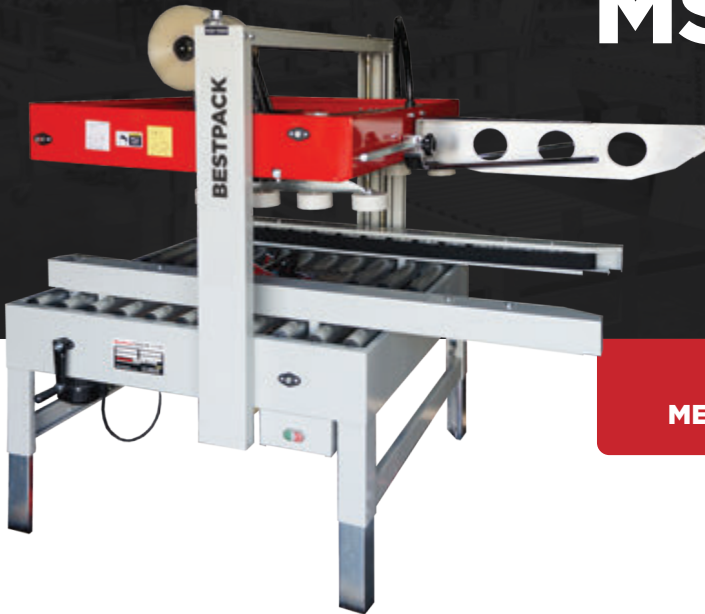


MANUAL SIDEDRIVE FOR AGRICULTURE PRODUCTS
MSAG FOOTPRINT



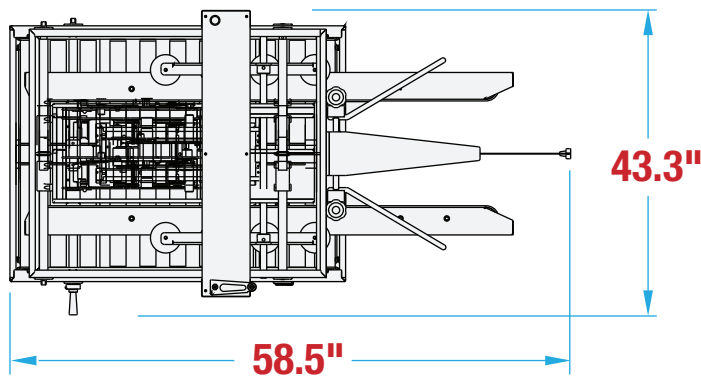
**WANT TO KNOW MORE
ABOUT THIS MACHINE?**

SCAN HERE TO LEARN MORE ABOUT THIS MACHINE

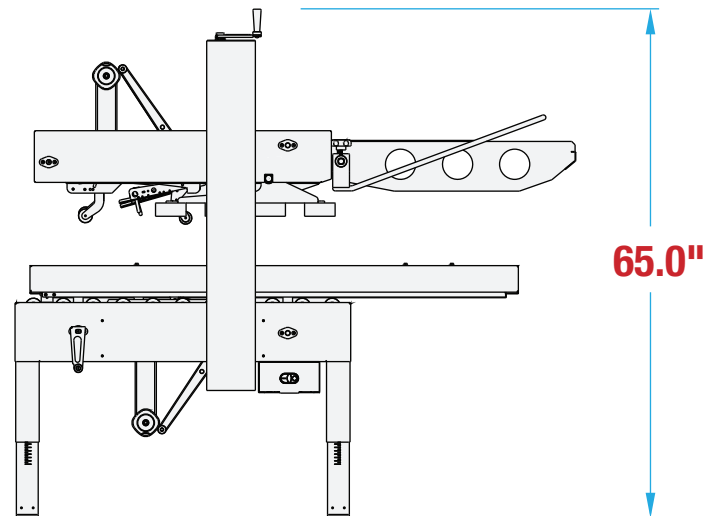
**MACHINE
MEASUREMENTS:**

58.5" x 43.3" x 65.0"
LENGTH WIDTH HEIGHT

TOP VIEW



SIDE VIEW



Note: Dimensions are all subject to change without prior notification. Call BestPack for pricing.