

MANUAL SIDEDRIVE DUAL MAST CARTON SEALER MSD22-6 FOOTPRINT



**WANT TO KNOW MORE
ABOUT THIS MACHINE?**

SCAN HERE TO LEARN MORE ABOUT THIS MACHINE

**MACHINE
MEASUREMENTS:**

39.5"
LENGTH

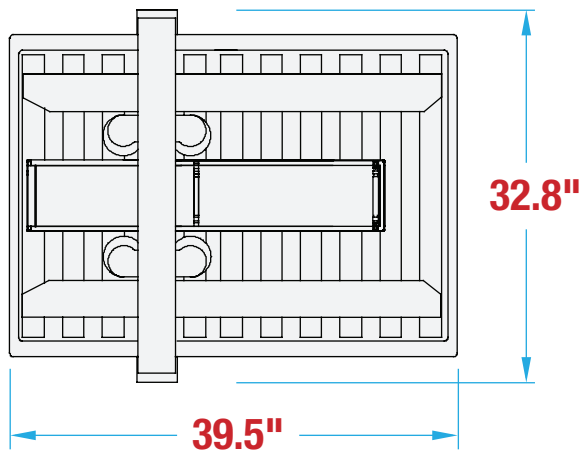
X

32.8"
WIDTH

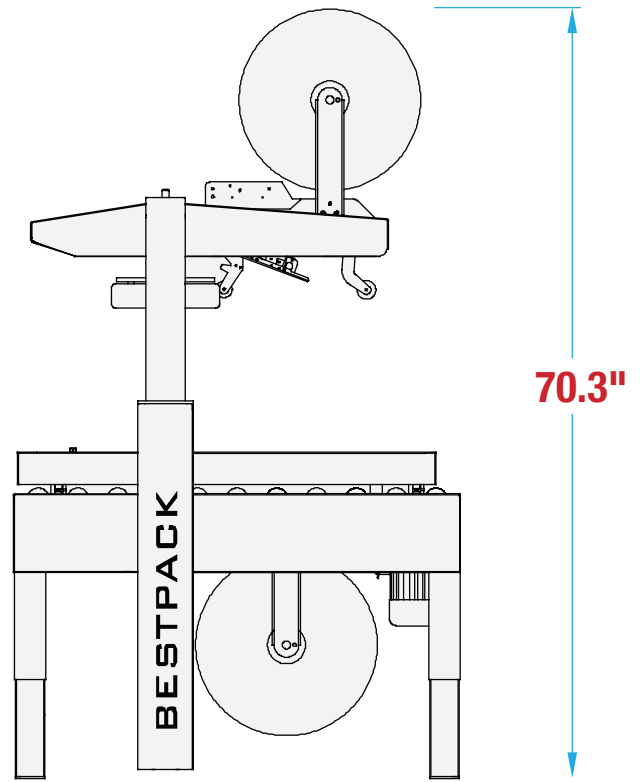
X

70.3"
HEIGHT

TOP VIEW



SIDE VIEW



Note: Dimensions are all subject to change without prior notification. Call BestPack for pricing.