

# MANUAL SIDEDRIVE DUAL MAST CARTON SEALER MSD22-6 FOOTPRINT



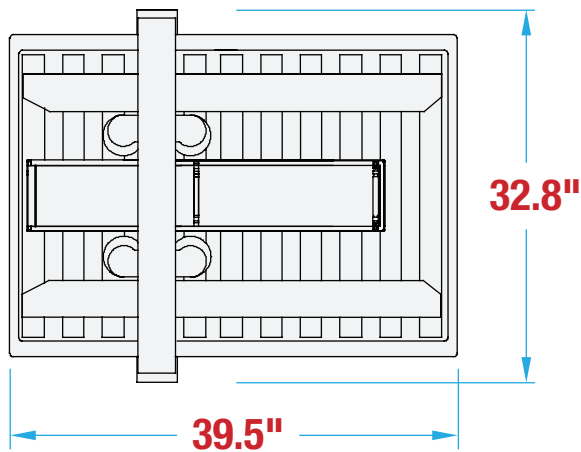
**WANT TO KNOW MORE  
ABOUT THIS MACHINE?**

SCAN HERE TO LEARN MORE ABOUT THIS MACHINE

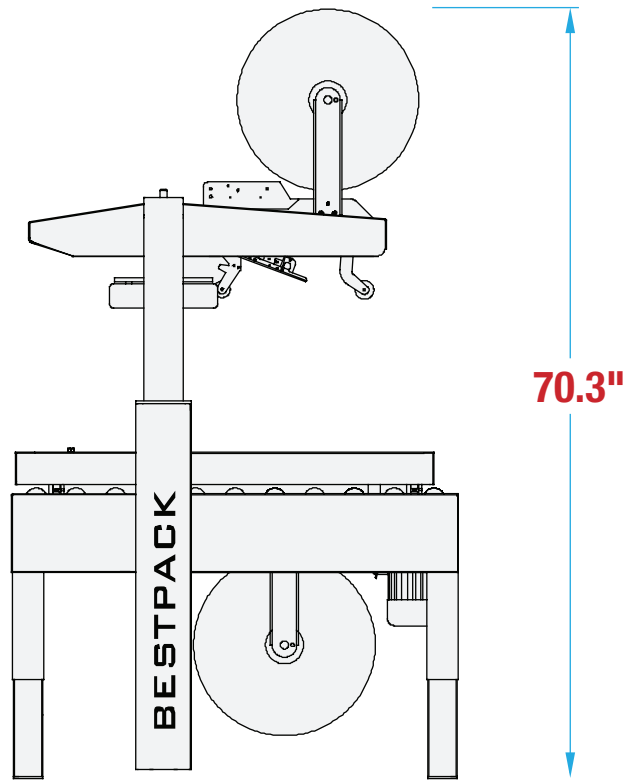
**MACHINE  
MEASUREMENTS:**

**39.5" x 32.8" x 70.3"**  
LENGTH WIDTH HEIGHT

**TOP VIEW**



**SIDE VIEW**



Note: Dimensions are all subject to change without prior notification. Call BestPack for pricing.