

# MANUAL TOP & BOTTOM DRIVE DUAL MAST SEALER MTD22 FOOTPRINT



**WANT TO KNOW MORE  
ABOUT THIS MACHINE?**

SCAN HERE TO LEARN MORE ABOUT THIS MACHINE

**MACHINE  
MEASUREMENTS:**

**35.3"**  
LENGTH

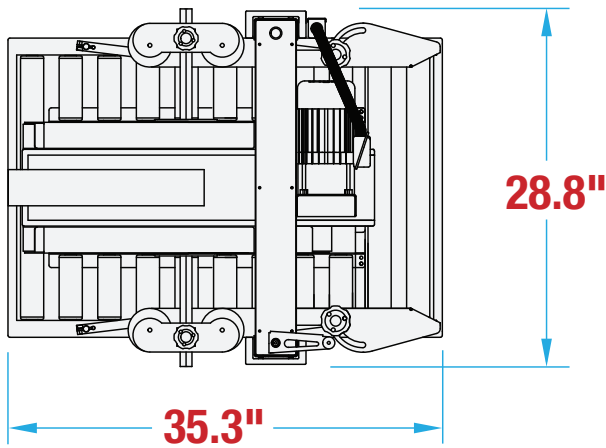
X

**28.8"**  
WIDTH

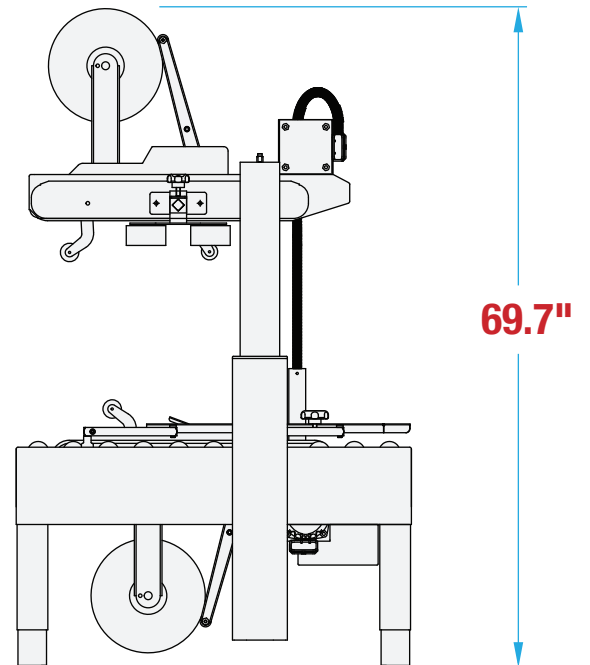
X

**69.7"**  
HEIGHT

## TOP VIEW



## SIDE VIEW



Note: Dimensions are all subject to change without prior notification. Call BestPack for pricing.