



# MANUAL SIDE SEALING CARTON SEALER MTSS33 FOOTPRINT



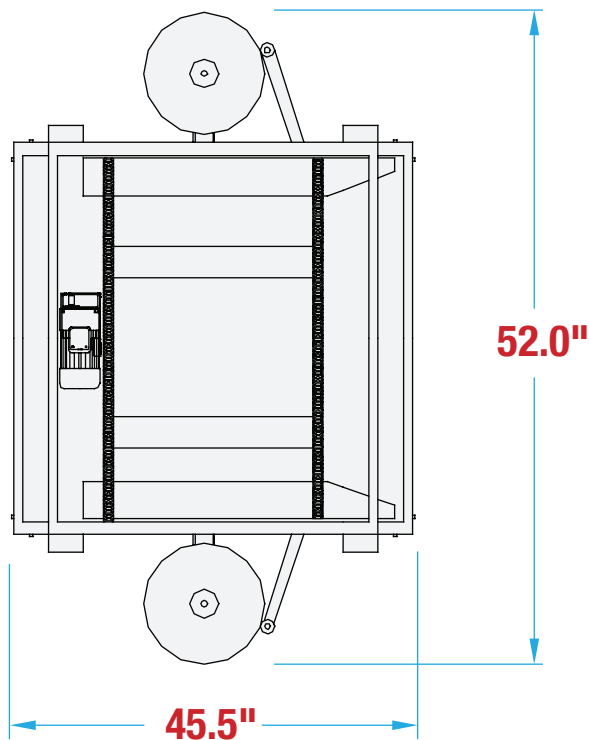
**WANT TO KNOW MORE  
ABOUT THIS MACHINE?**

SCAN HERE TO LEARN MORE ABOUT THIS MACHINE

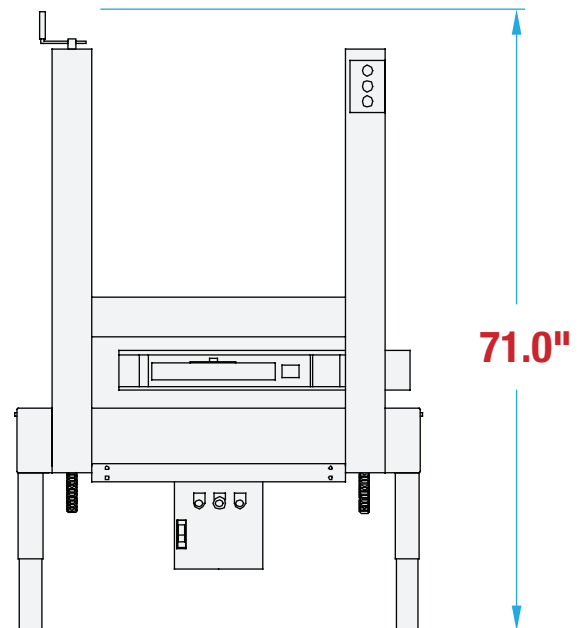
**MACHINE  
MEASUREMENTS:**

**45.5" x 52.0" x 71.0"**  
LENGTH WIDTH HEIGHT

**TOP VIEW**



**SIDE VIEW**



Note: Dimensions are all subject to change without prior notification. Call BestPack for pricing.