

USED FOR SPACING OUT UNIFORM CARTONS

ARX20 FOOTPRINT

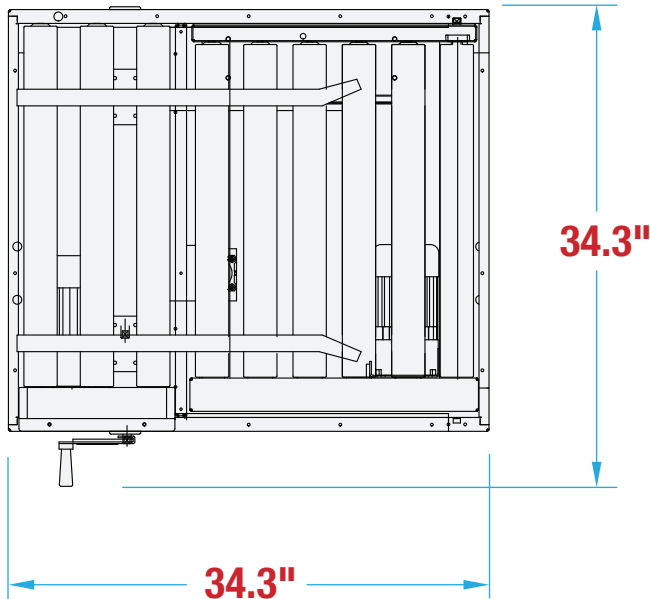


**WANT TO KNOW MORE
ABOUT THIS MACHINE?**
SCAN HERE TO LEARN MORE ABOUT THIS MACHINE

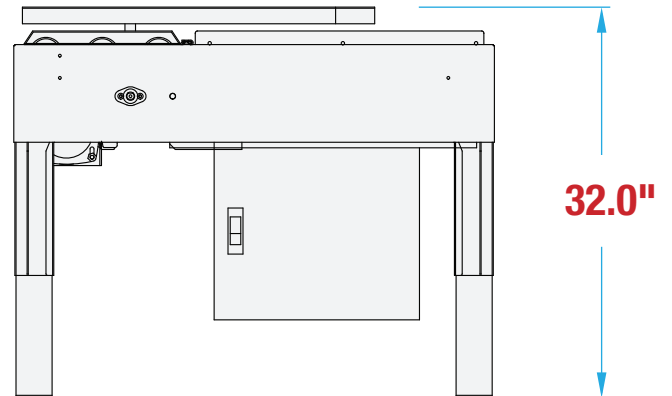
**MACHINE
MEASUREMENTS:**

34.3" x 34.3" x 32.0"
LENGTH WIDTH HEIGHT

TOP VIEW



SIDE VIEW



Note: Dimensions are all subject to change without prior notification. Call BestPack for pricing.