

USED FOR SPACING OUT UNIFORM CARTONS

ARX20 FOOTPRINT



**WANT TO KNOW MORE
ABOUT THIS MACHINE?**
SCAN HERE TO LEARN MORE ABOUT THIS MACHINE

**MACHINE
MEASUREMENTS:**

34.3"
LENGTH

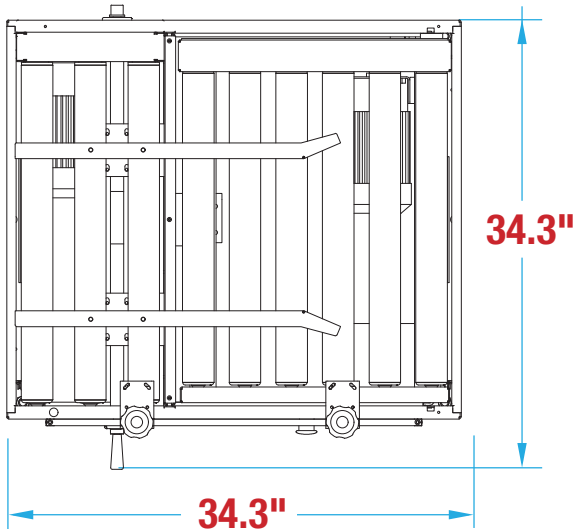
X

34.3"
WIDTH

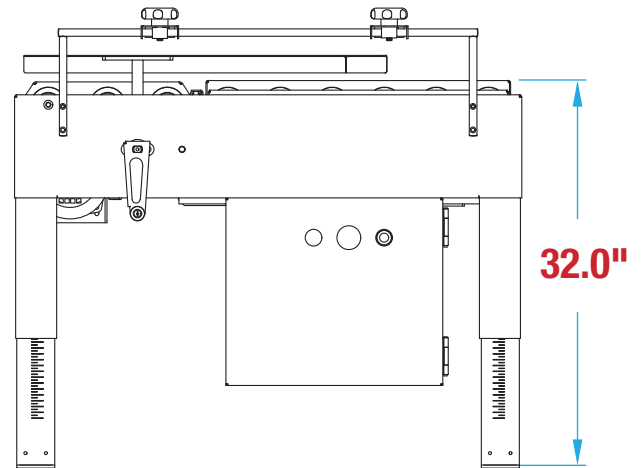
X

32.0"
HEIGHT

TOP VIEW



SIDE VIEW



***LEFT INDEXER**

Note: Dimensions are all subject to change without prior notification. Call BestPack for pricing.

USED FOR SPACING OUT UNIFORM CARTONS

ARX20 FOOTPRINT

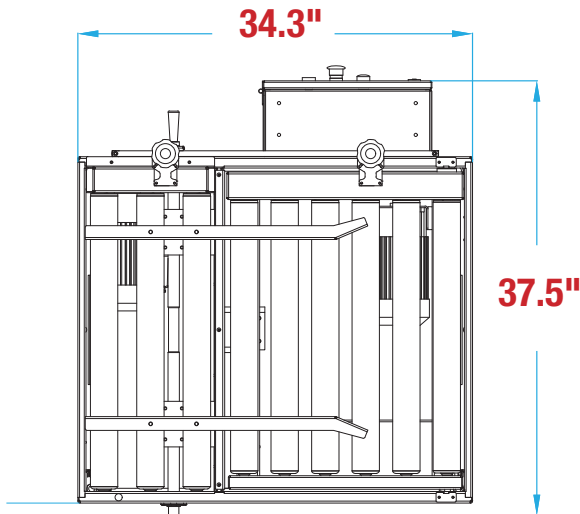


**WANT TO KNOW MORE
ABOUT THIS MACHINE?**
SCAN HERE TO LEARN MORE ABOUT THIS MACHINE

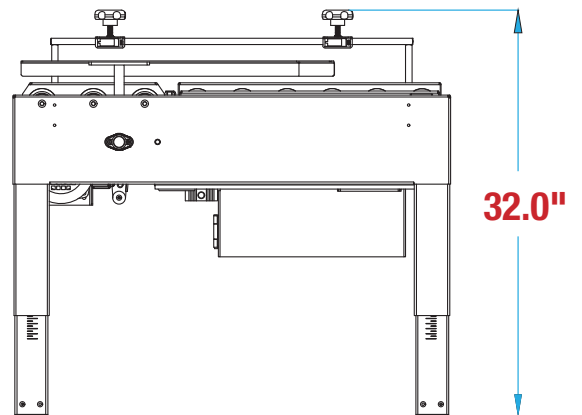
**MACHINE
MEASUREMENTS:**

34.3" x 37.5" x 32.0"
LENGTH WIDTH HEIGHT

TOP VIEW



SIDE VIEW



***RIGHT INDEXER**

Note: Dimensions are all subject to change without prior notification. Call BestPack for pricing.