

USED FOR CENTERING & TIMING RANDOM CARTONS
CRX 20 FOOTPRINT



**WANT TO KNOW MORE
ABOUT THIS MACHINE?**
SCAN HERE TO LEARN MORE ABOUT THIS MACHINE

**MACHINE
MEASUREMENTS:**

39.5"
LENGTH

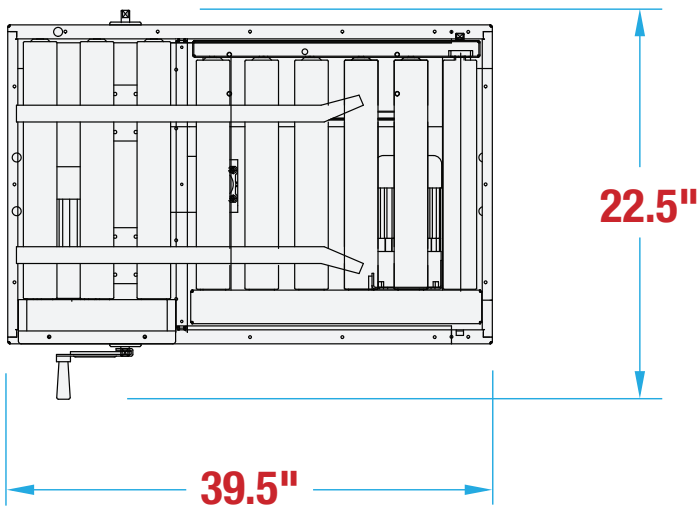
X

22.5"
WIDTH

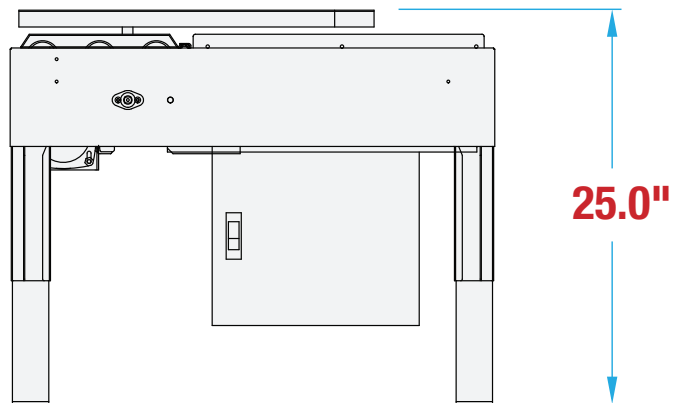
X

25.0"
HEIGHT

TOP VIEW



SIDE VIEW



Note: Dimensions are all subject to change without prior notification. Call BestPack for pricing.