

AUTOMATIC L-TYPE SUCTION CUP CARTON ERECTOR ELVS22 FOOTPRINT



**WANT TO KNOW MORE
ABOUT THIS MACHINE?**

SCAN HERE TO LEARN MORE ABOUT THIS MACHINE

**MACHINE
MEASUREMENTS:**

98.7"
LENGTH

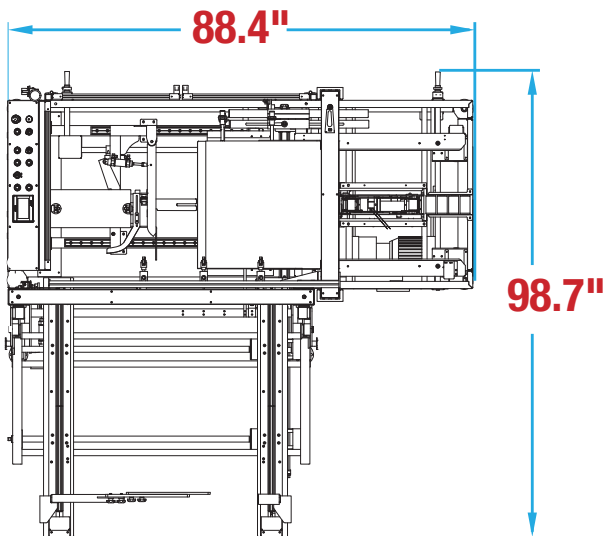
X

88.4"
WIDTH

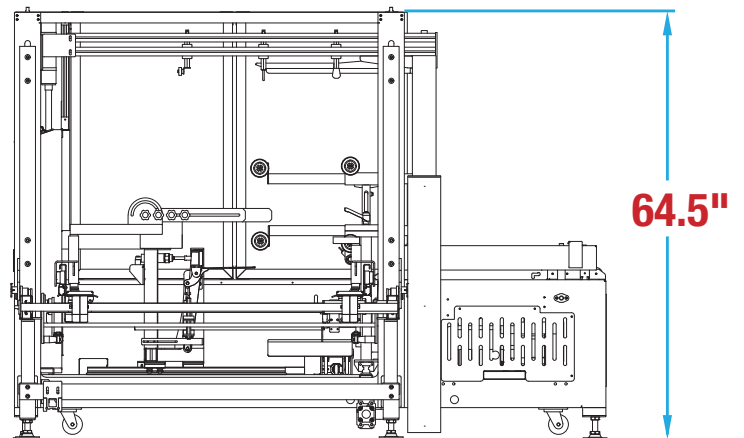
X

64.5"
HEIGHT

TOP VIEW



SIDE VIEW



Note: Dimensions are all subject to change without prior notification. Call BestPack for pricing.